

ORACGBXL

HIGH SPEED OVEN - ALL IN ONE. COMBI WAVE / HIGH SPEED OVEN - BOOSTED VERSION (STEEL)



Features



HIGH SPEED OVEN

An operating mode that simultaneously uses convection, microwave and impingement modes, with temperatures from 100°C to 300°C [212°F to 572°F].



COMBI WAVE

In Combi Wave mode, the high speed oven can be used as a convection oven with temperatures from 30°C to 300°C [86°F to 572°F], as a microwave oven with power up to 2000W or with a combination of the two cooking methods to achieve results that always exceed expectations.



CONNECTED

Oracle connects free-of-charge to Lainox's Nabook plus portal via the standard- supply Wi-Fi and ethernet features giving you a 4.0 kitchen (find out more on nabookplus.cloud).



OOS - ORACLE ODORLESS SYSTEM

A labyrinth baffle catalyst filter containing platinum particles which help to reduce steam, odours and grease residue during cooking. The Oracle Odorless System does not require any cleaning or routine maintenance work. Its efficiency is always guaranteed.



FAST COOKING SYSTEM

Rely on our know-how with automatic, tried-and-tested recipes for high-speed cooking in High Speed Oven mode.



MICROWAVE COOKING SYSTEM

Rely on our know-how by using the automatic, tried-and-tested recipes for cooking in Combi Wave mode.



OWB - ORACLE WASHABLE BOX

A special Teflon oven chamber which can be removed and washed for the next round of cooking, making the cleaning procedure fast and cost-effective.



Conforms to: UL STD 923
Cert. to: CSA STD C22.2 No. 150



Conforms to: NSF4



Capacity

Capacity Steel - 36,4 lt.

Dimensions

| | | | | |
|----------------------------|------------|------|-------------|-------|
| Width | <i>mm</i> | 577 | <i>inch</i> | 22.7 |
| Depth | <i>mm</i> | 797 | <i>inch</i> | 31.4 |
| Height | <i>mm</i> | 630 | <i>inch</i> | 24.8 |
| Maximum outer width | <i>mm</i> | 467 | <i>inch</i> | 18.4 |
| Max exterior depth | <i>mm</i> | 657 | <i>inch</i> | 25.9 |
| Maximum exterior height | <i>mm</i> | 630 | <i>inch</i> | 24.8 |
| Packaging width | <i>mm</i> | 990 | <i>inch</i> | 39.0 |
| Packing depth | <i>mm</i> | 770 | <i>inch</i> | 30.3 |
| Packaging height | <i>mm</i> | 800 | <i>inch</i> | 31.5 |
| Weight | <i>kg</i> | 74 | <i>lbs</i> | 163.2 |
| Gross weight | <i>kg</i> | 86 | <i>lbs</i> | 189.6 |
| Volume | <i>m3</i> | 0.29 | <i>ft3</i> | 10.2 |
| Packing volume | <i>m3</i> | 0.61 | <i>ft3</i> | 21.5 |
| Cooking compartment width | <i>mm</i> | 460 | <i>inch</i> | 18.1 |
| Cooking compartment depth | <i>mm</i> | 440 | <i>inch</i> | 17.3 |
| Cooking chamber dimensions | <i>mm</i> | 180 | <i>inch</i> | 7.1 |
| Support base width | <i>mm</i> | 536 | <i>inch</i> | 21.1 |
| Base dimensions | <i>mm</i> | 646 | <i>inch</i> | 25.4 |
| Power plug configuration | Nema 6-30P | | | |
| Cable length | <i>m</i> | 1.83 | <i>ft</i> | 6.00 |

Technical Data

| | | | | |
|-----------------------------|----|--------------------------|----|-----|
| High Speed Oven temperature | °C | 100 / 300 [212 / 572 °F] | °F | NaN |
| Temperatura Combi Wave | °C | 30 / 300 [86 / 572 °F] | °F | NaN |

Power supply

| | | | | |
|----------------------|-------------|-----|--|--|
| Power supply voltage | 2P AC 208 V | | | |
| Consumption | <i>A</i> | 24 | | |
| Frequency | <i>Hz</i> | 60 | | |
| Total electric power | <i>kW</i> | 5,3 | | |
| Microwave | <i>kW</i> | 2 | | |
| Impingement | <i>kW</i> | 2,8 | | |

Emissions

| | | |
|----------------|-----------|------|
| Latent heat | <i>W</i> | 450 |
| Sensitive heat | <i>W</i> | 346 |
| Noisiness | <i>db</i> | < 70 |

OPTIONAL ELECTRIC CONFIGURATION, WITHOUT EXTRA CHARGE - TO BE REQUESTED WHEN ORDERING

| Option code | Connection plug (Plug provided) | Cable length (Provided - mt.) | Power supply voltage | Frequency Hz | Total electric power | | Power output - kW | | Country |
|-------------|------------------------------------|----------------------------------|----------------------|-----------------|----------------------|----|-------------------|-----------|---------|
| | | | | | kW | A | Impingement | Microwave | |
| OR3208U2 | Not included | 1,83 | 3P AC 208 V | 60 | 5,3 | 23 | 2,8 | 2 | |
| OR630U2 | NEMA 6-30 | 1,83 | 2P AC 240 V | 60 | 5,3 | 23 | 2,8 | 2 | |

| | | | | | |
|----------------------|------------------|-----------------------|------------------------------------|----------------------------|--------------------------|
| AUS Australia | EU Europe | KO South Korea | KSA Kingdom of Saudi Arabia | LATAM Latin America | UK United Kingdom |
|----------------------|------------------|-----------------------|------------------------------------|----------------------------|--------------------------|

HOW TO USE

- Combi Wave. - MCS (Microwave Cooking System) automatic cooking system for Italian and international recipes, including the history, ingredients, cooking accessories, procedure and automatic cooking program. - Manual mode with three instant start cooking methods: convection, microwave or combined convection + microwave.
- High Speed Oven. - FCS (Fast Cooking System) automatic cooking system for Italian and international recipes, including the history, ingredients, cooking accessories, method and automatic cooking program. - Manual mode with instant start.
- Programmable mode: possibility of programming and storing a recipe with its cooking procedures in automatic sequence.

CONNECTIVITY

- Nabook Plus - Thanks to the Cloud feature, it is possible to access Nabook Plus, the virtual kitchen assistant (read more on nabookplus.cloud, free registration).
- Direct access to the recipe database with download option (patented).
- Synchronisation of multiple Oracle ovens connected to the same account (patented).
- HACCP monitoring.
- Remote diagnosis via Nabook plus portal by Lainox Service Centers.
- Possibility to download recipes from the Nabook Plus portal based on country.
- Possibility to run automatic software updates on multiple devices simultaneously.
- Wi-Fi connection. Compatible with IEEE 802.11g (2.4 GHz) standard.
- Automatic software update notification system.
- Recipe creation including ingredients with procedure and photo.

CONTROL MECHANISMS

- USB connection to download HACCP data, update software and upload/download cooking recipes.
- Possibility of choosing the fan speed.
- Automatic fan speed for High Speed Oven mode.

STRUCTURAL CHARACTERISTICS

- Pull-down door with ergonomic handle.
- When open, the door slides under the cooking surface of the oven, allowing the food to be removed safely without the risk of burns.
- Integrated catalyst filter for operation without hood.
- Perfectly smooth room.

OPERATION

- 7" colour screen (LCD, high definition, capacitive, with "Touch Screen" functions).
- Organisation of recipes in folders with preview, giving each folder its own name.
- Display that can be configured based on the user's needs, bringing forward the programmes used most.
- Oracle coach. Virtual assistant that provides advice on using and informs when maintenance is needed.
- There are about 30 recipes available in Oracle and a growing number of alternative ones are available via access to the Nabook plus portal. Each recipe has been tested to guarantee best results.
- Rapid cooling of the cooking chamber with open door.
- Possibility of preheating the cooking chamber up to 300°C [572°F].
- Starting an automatic "One Touch" cooking.
- User interface with a choice of 29 languages.

SAFETY FEATURES

- Self-diagnosis with smart error viewing.
- Door open/closed electronic sensor.
- Compliant with the IEC60335-1, IEC60335-2-90 and EMC international standards.
- Maximum external door front temperature of 65°C [149°F].

CLEANING AND MAINTENANCE

- Easy exterior cleaning thanks to perfectly smooth surfaces, and IPX3 water jet protection rating.
- OWB - Oracle Washable Box. Special removable and washable box chamber.

INSTALLATION AND ENVIRONMENT

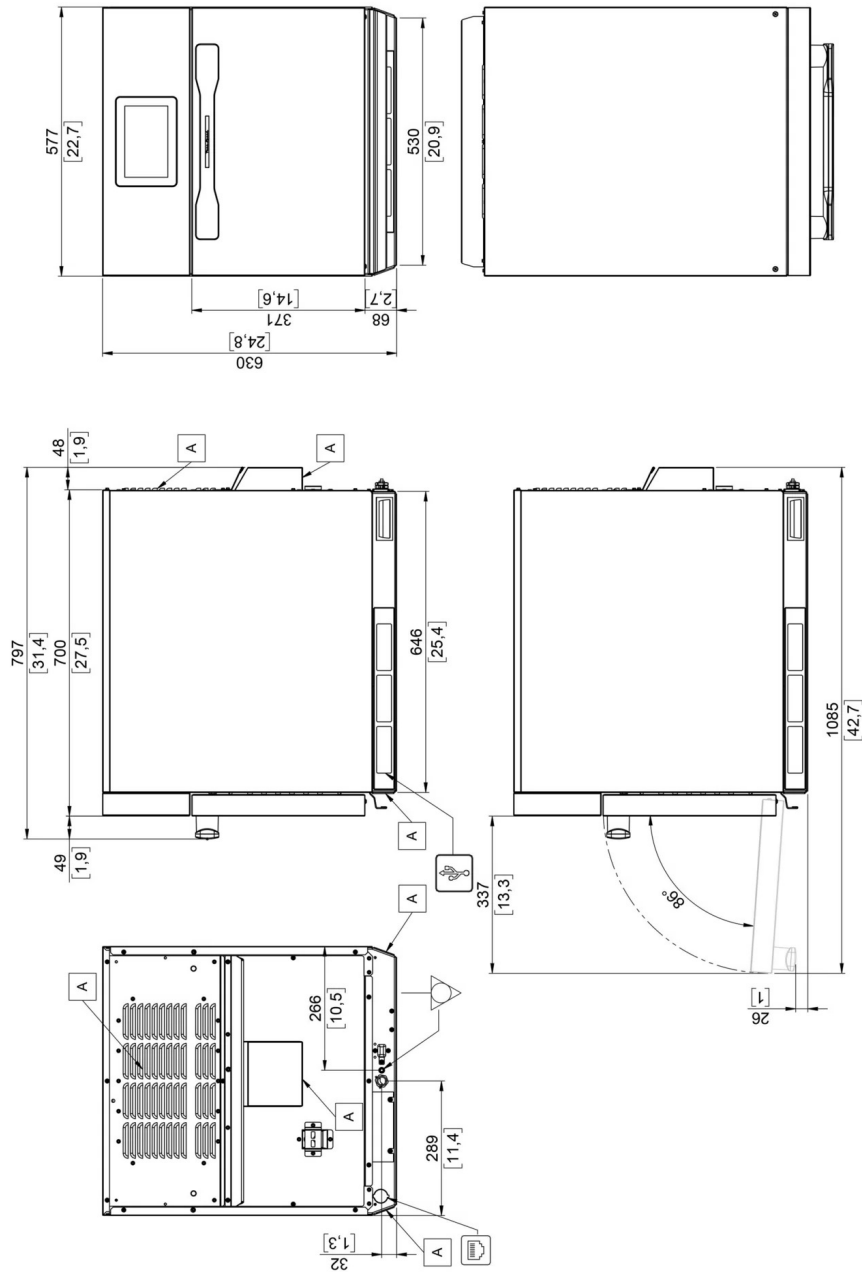
- Quality ISO 9001 / Safety ISO 45001 / Environmental ISO 14001 certification.
- Product recycling rate: 90%.
- 100% recyclable packaging.

STANDARD EQUIPMENT

- Wi-Fi connection. Compatible with IEEE 802.11g (2.4GHz) standard
- USB connection
- Ethernet connection
- Anodized aluminum alloy plate
- Oracle Washable Box
- Oracle Washable Door Cover. Removable and washable inner door protection
- Aluminium peel (570 x 420 x 100 mm)
- Power cable - 6 ft
- Electric plug - only for 2P version

OPTIONAL TO BE REQUESTED WHEN ORDERING

- OR3208U2:** Optional electric configuration, without extra charge. 3P AC 280 V - 60 Hz. Plug not included
- OR630U2:** Optional electric configuration, without extra charge. 2P AC 240 V - 60 Hz. Plug included (NEMA 6-30)
- SOWBHDX:** Extra charge for Oracle Washable Box Heavy Duty version OWBHDX. Replaces the standard model



Dimensions: Millimeters [inches]

| | | | | |
|---|--|----------------|--------------------------|---------------------|
| A | Technical compartment cooling air intake | USB connection | Equipotential connection | Ethernet connection |
|---|--|----------------|--------------------------|---------------------|

The data reported in this document is to be considered non-binding. The company reserves the right to make changes at any time, without prior notice